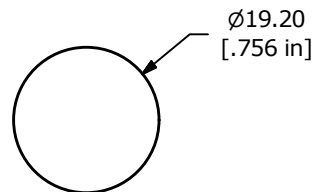
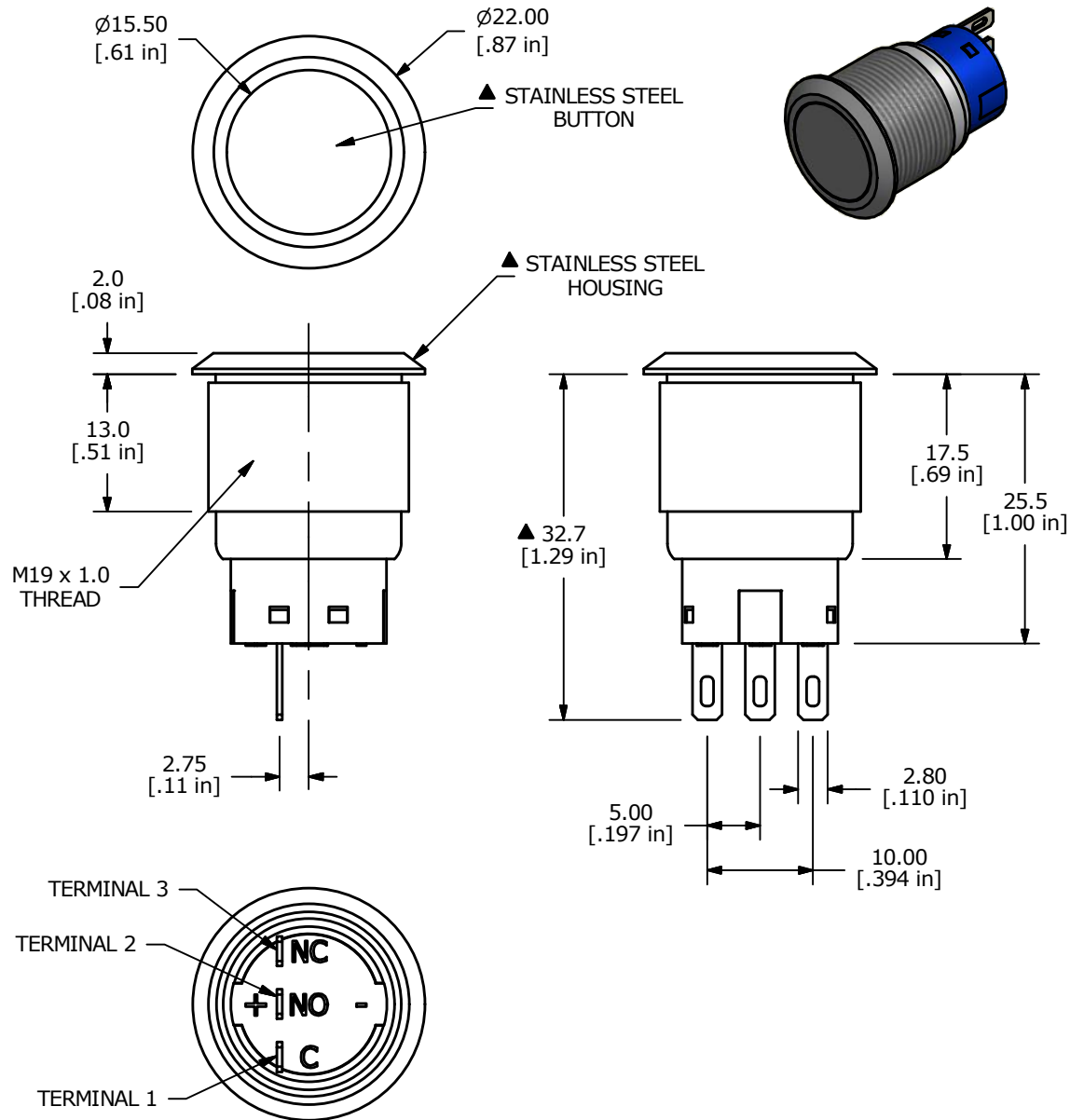


**SCHEMATIC**  
ON - (ON)  
SPDT Non-Illuminated  
( ) DENOTES MOMENTARY FUNCTION



**PANEL CUT-OUT**  
PANEL THICKNESS 1-10mm



**NOTE:**

1. ALL DIMENSIONS IN MM [INCH]
2. GENERAL TOLERANCE: X.X = ±0.4  
X.XX = ±0.25
3. TERMINAL NUMBERS FOR REF ONLY
- ▲ 4. CONTACT MATERIAL: SILVER
5. RATING: 3A 250 VAC cUL
6. ELECTRIC LIFE: 50,000 MAKE-AND-BREAK CYCLES AT FULL LOAD.
7. MECHANICAL LIFE: 1,000,000 CYCLES.
8. INSULATION RESISTANCE: 1,000 MΩ @ 500VDC MIN.
9. DIELECTRIC STRENGTH: 2,000 VAC MIN. FOR 1 MINUTE
10. CONTACT RESISTANCE: 50mΩ MAX. @ 1A 12VDC
11. OPERATING TEMP.: -20°C to 55°C
12. ▲ DENOTES CRITICAL PARAMETER.
- ▲ 13. LAMP VOLTAGE: NON-ILLUMINATED
14. TRAVEL: 3.2mm
15. ACTUATION FORCE: 2.5 ± 1.0 N
16. MOUNTING NUT TORQUE: 5-14 Nm
17. INGRESS PROTECTION: IP67
18. HARDWARE SUPPLIED: O-RING AND HEXNUT



B	22127	UPDATE HOUSING DIM. TO 1 PLACE DECIMAL	1/19/16	MW
A	21950	New Release	8/11/15	rc
REV	PCR NO	DESCRIPTION	DATE	BY

TITLE <b>ULV4F2BSS</b>				
SCALE	DATE	DR	DWG	REV
1.5 : 1	8/11/2015	rc	T940012	B

THE INFORMATION CONTAINED IN THIS DOCUMENT IS PROPRIETARY TO E-SWITCH AND IS NOT TO BE COPIED OR TRANSFERRED